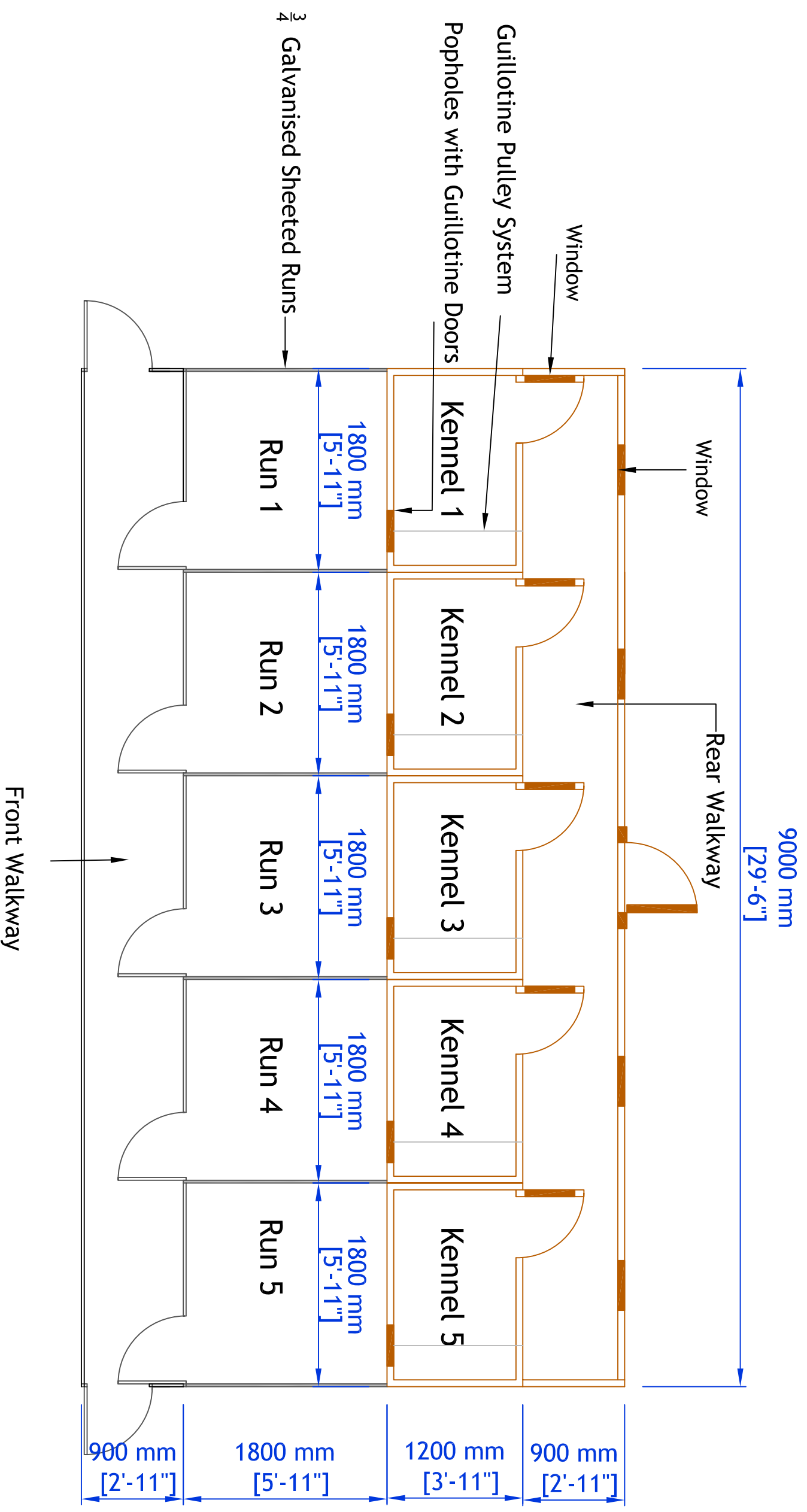


RevNo	Revision note	Date	Signature	Checked
-------	---------------	------	-----------	---------



Itemref	Quantity	Title/Name, designation, material, dimension etc	Article No./Reference
Designed by C Hodgson	Checked by K Wetherall	Approved by - date	Date 27/9/2007
File name B A College		Scale 1:40	

**Reeves C&E LLP**

**Balmoral Boarding Complex**

Edition 1 / Sheet 1/1